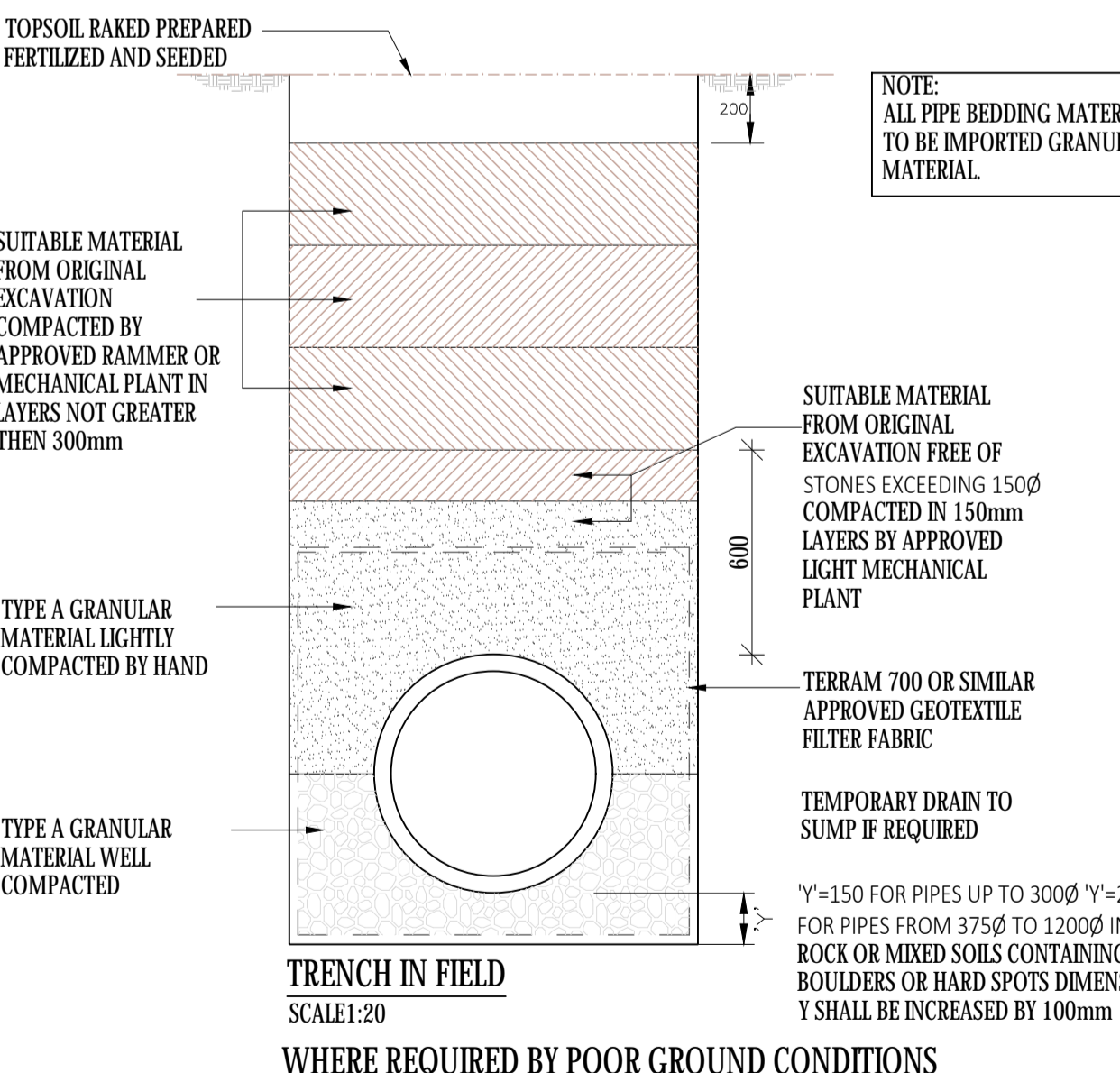
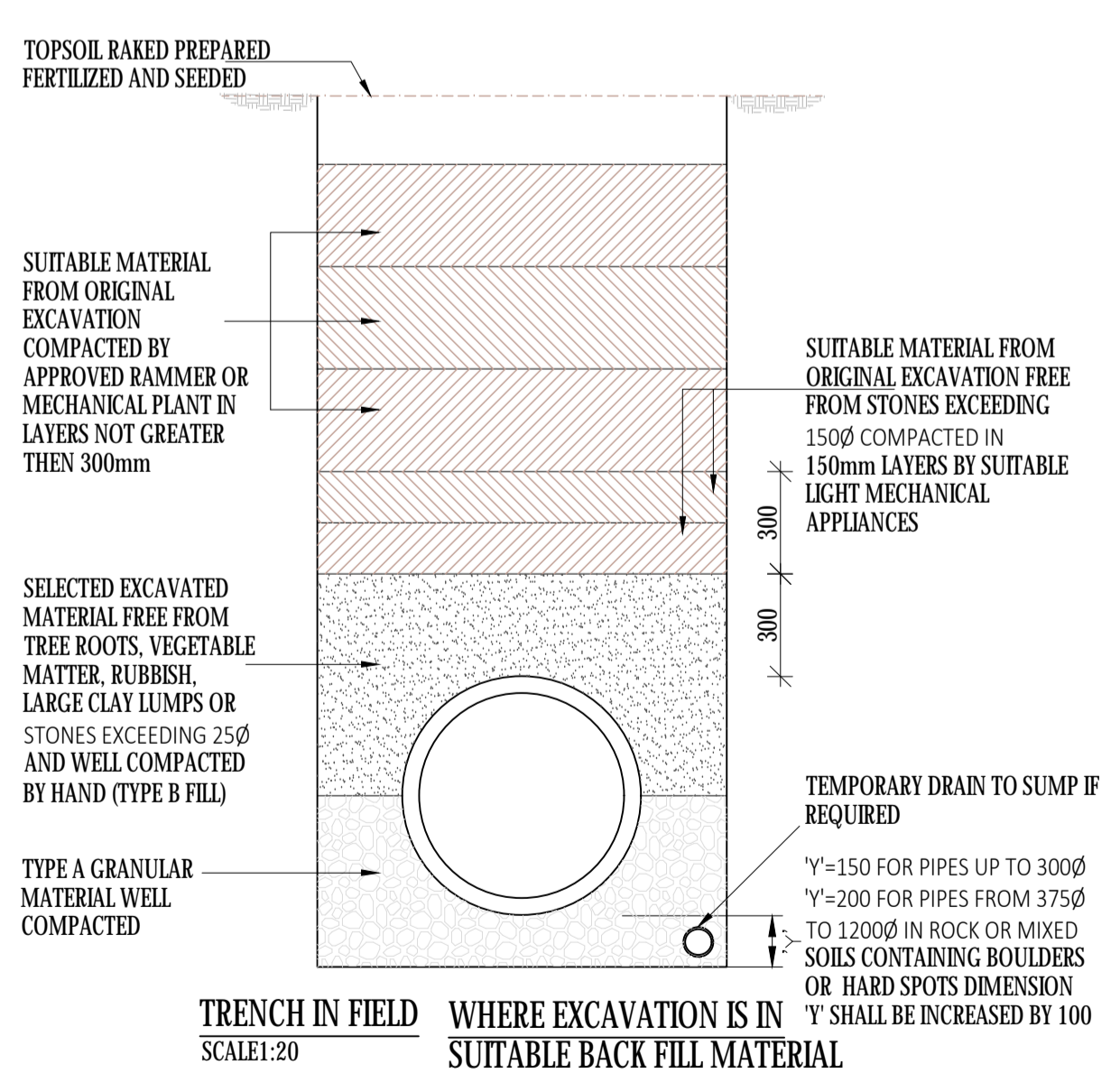
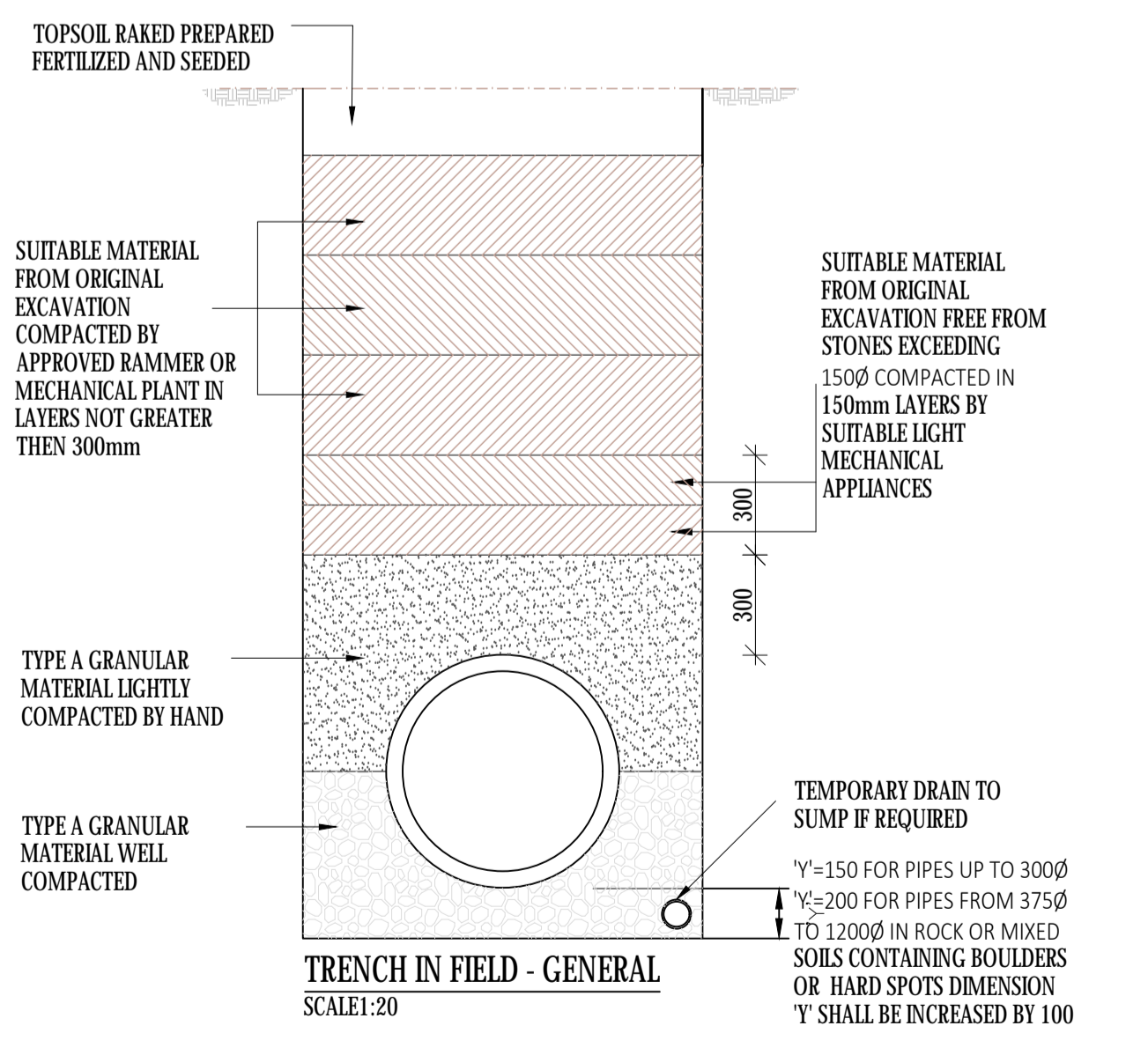
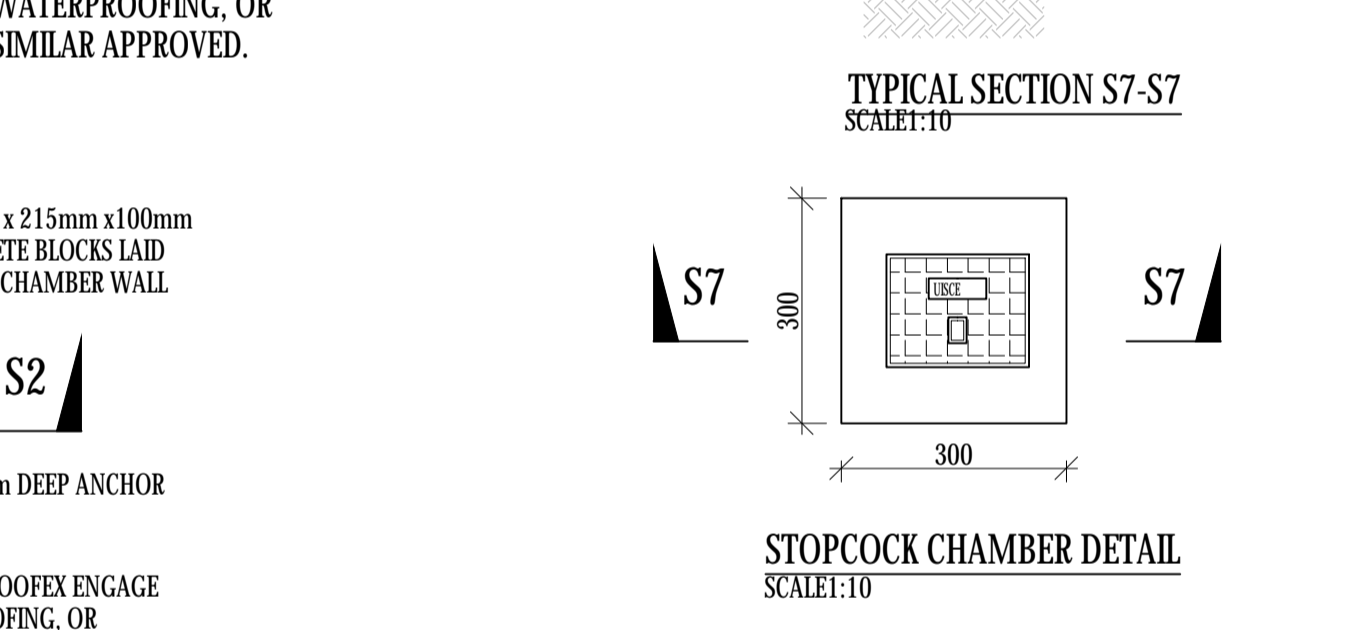
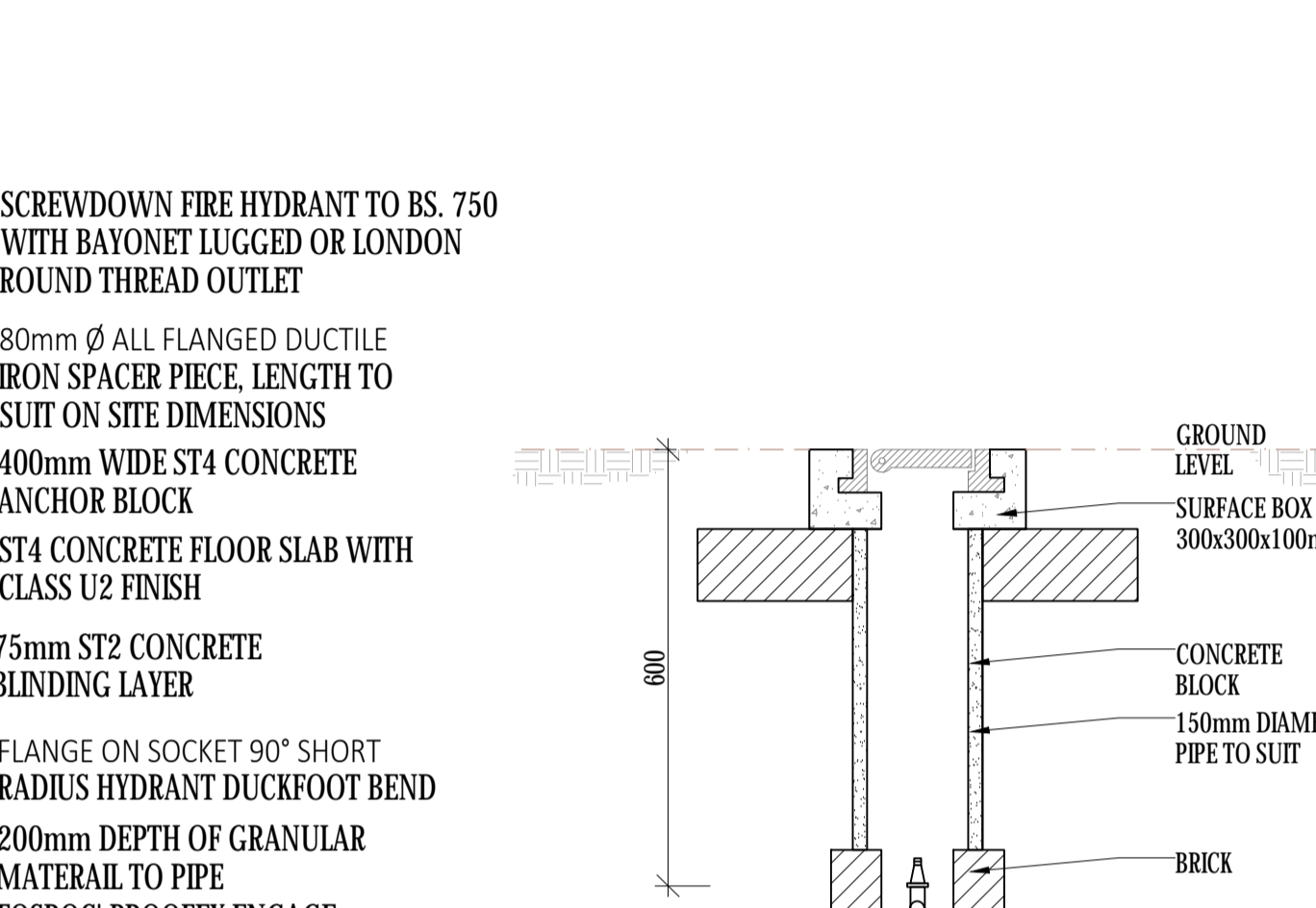
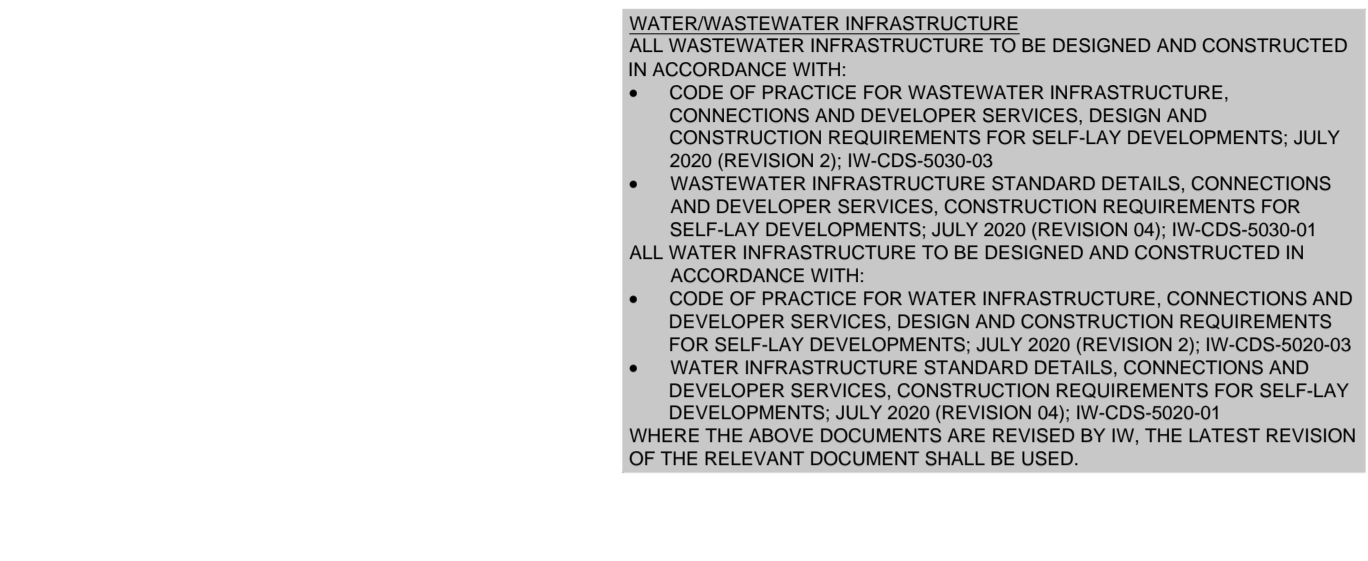
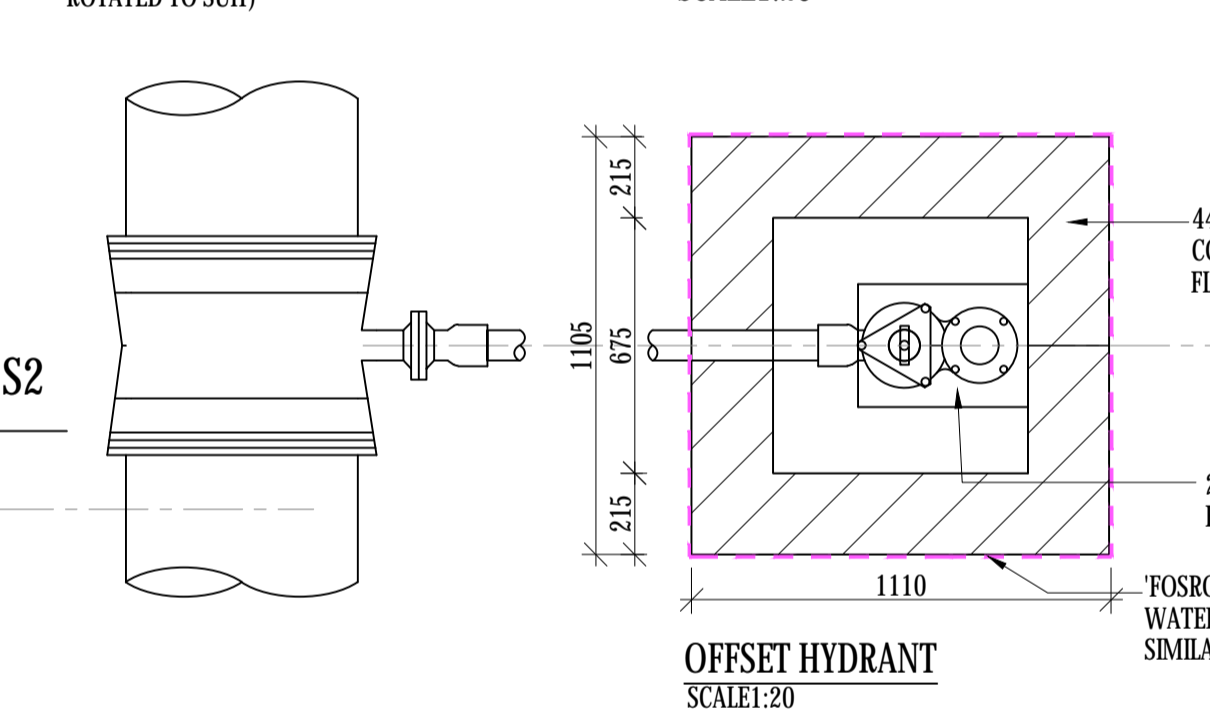
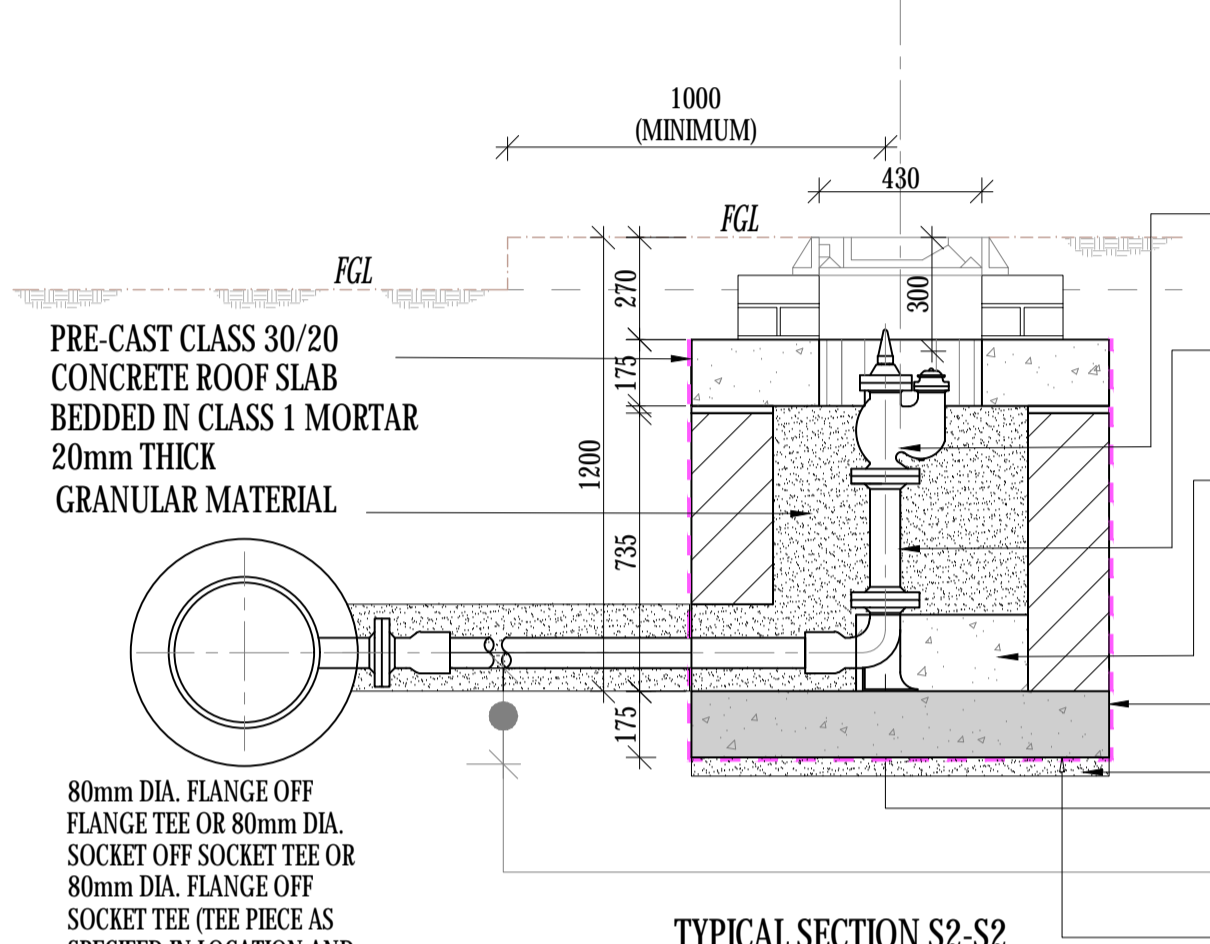
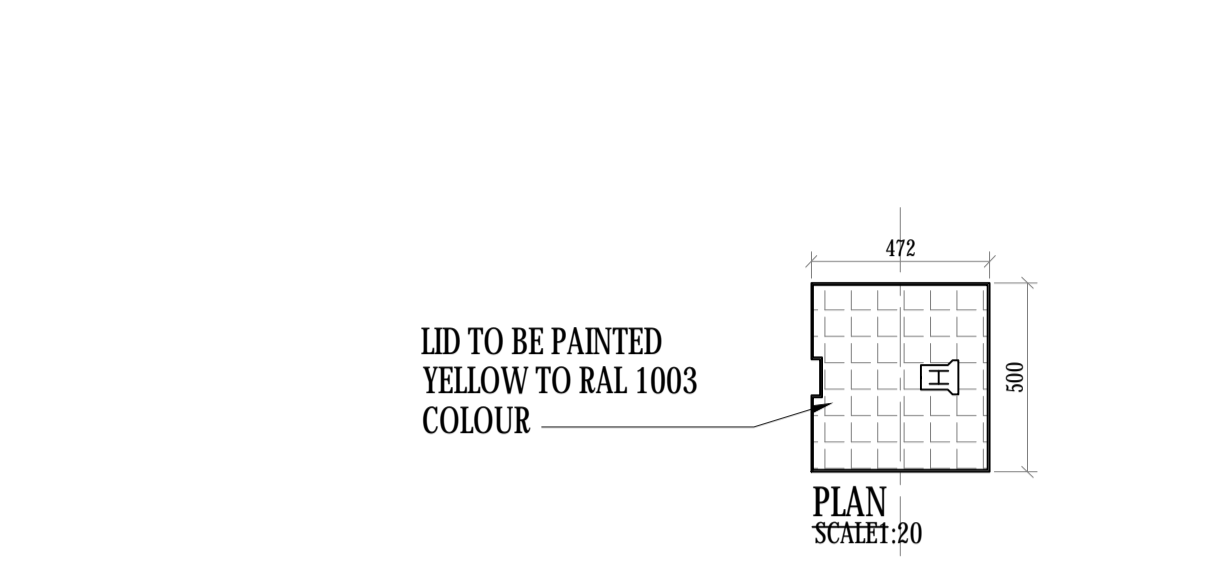
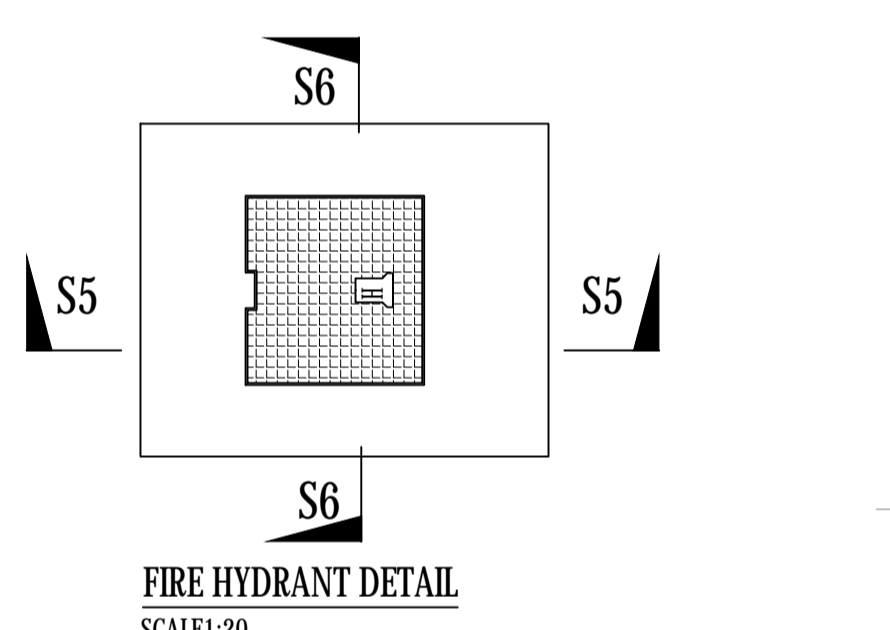
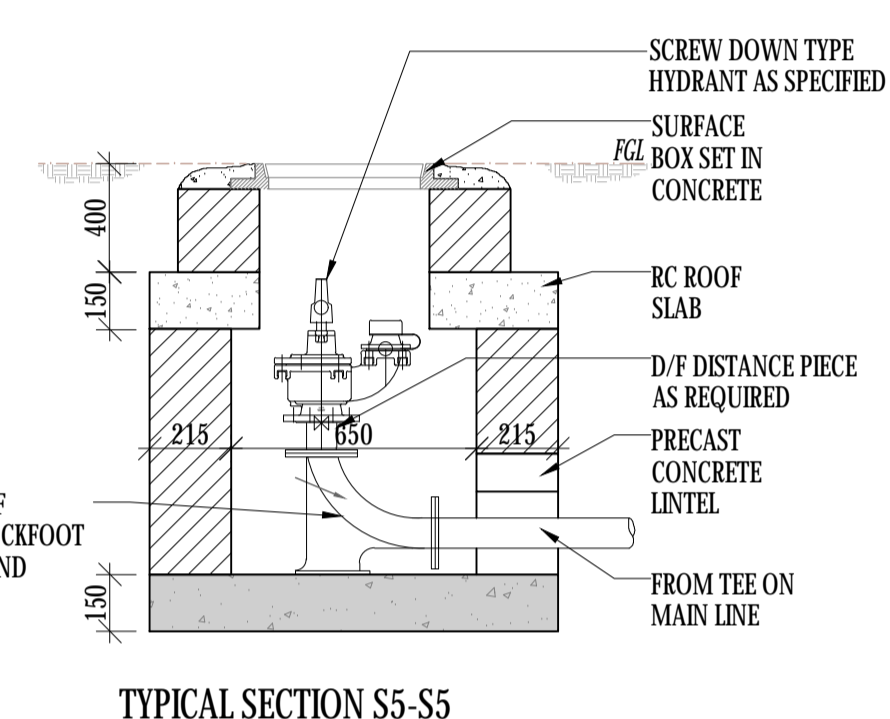
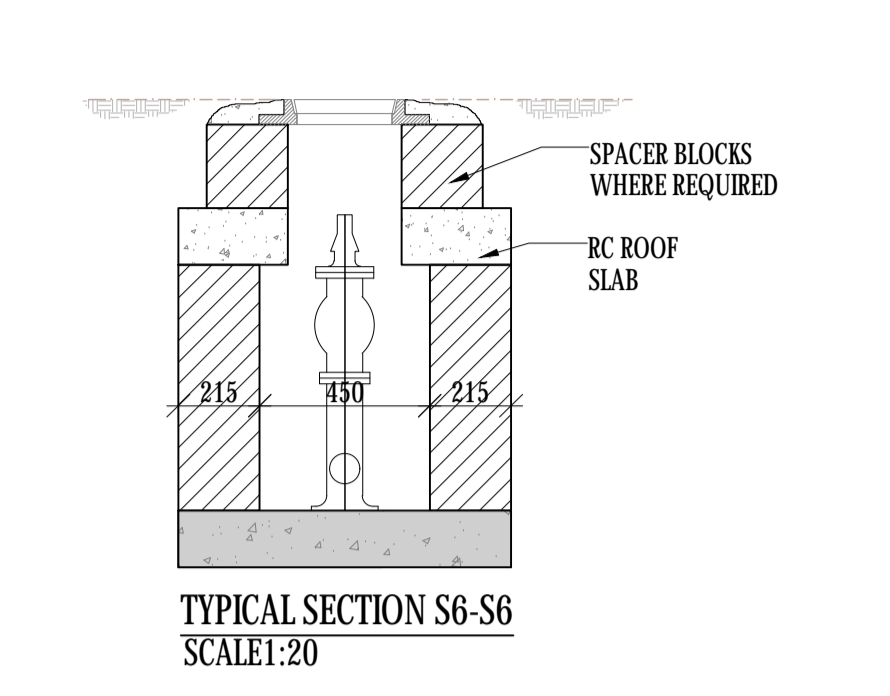
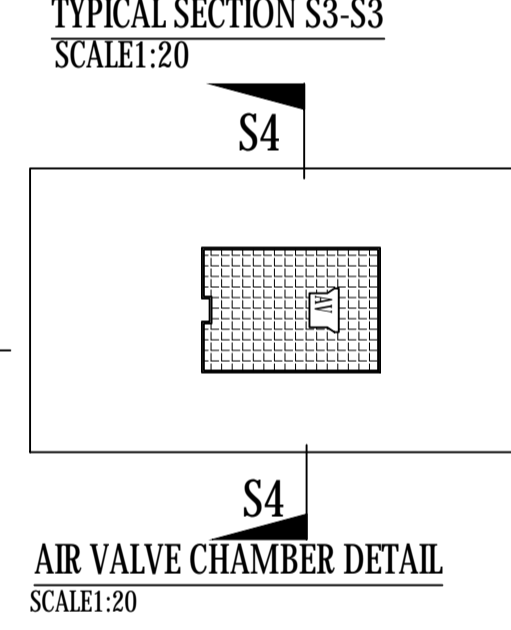
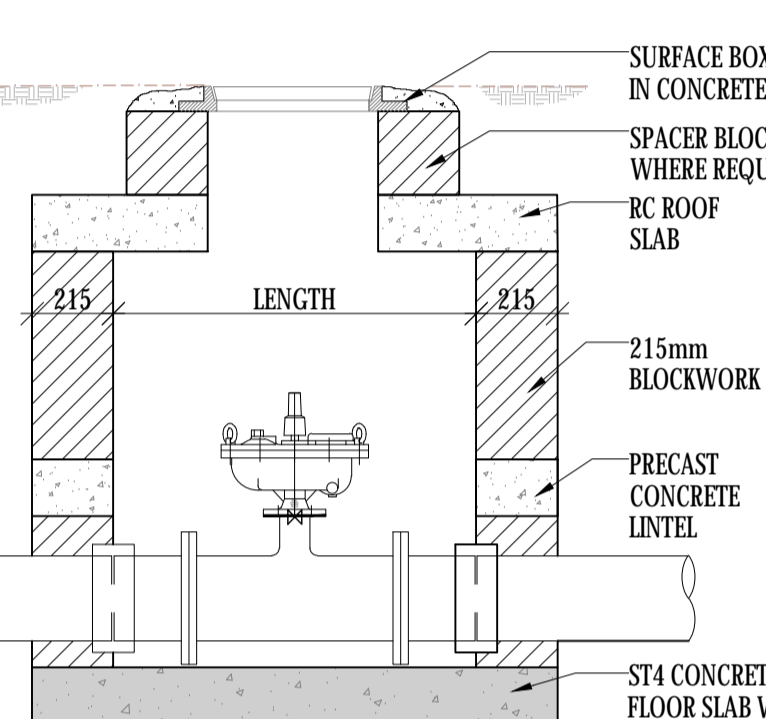
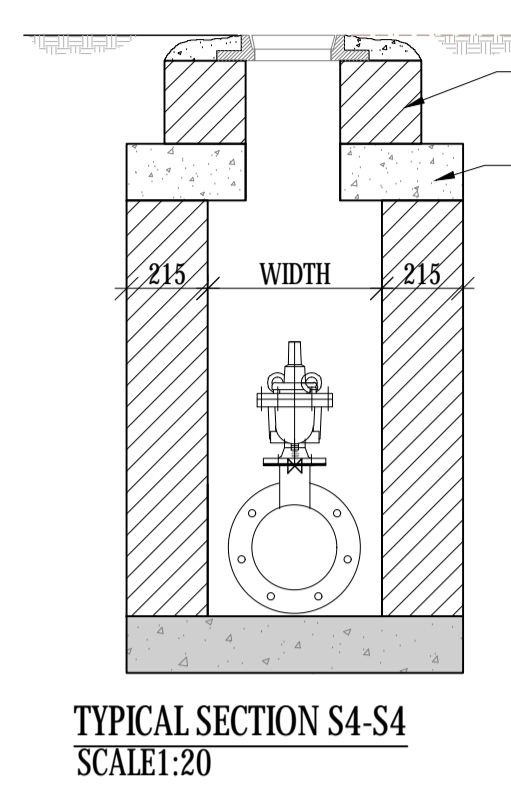
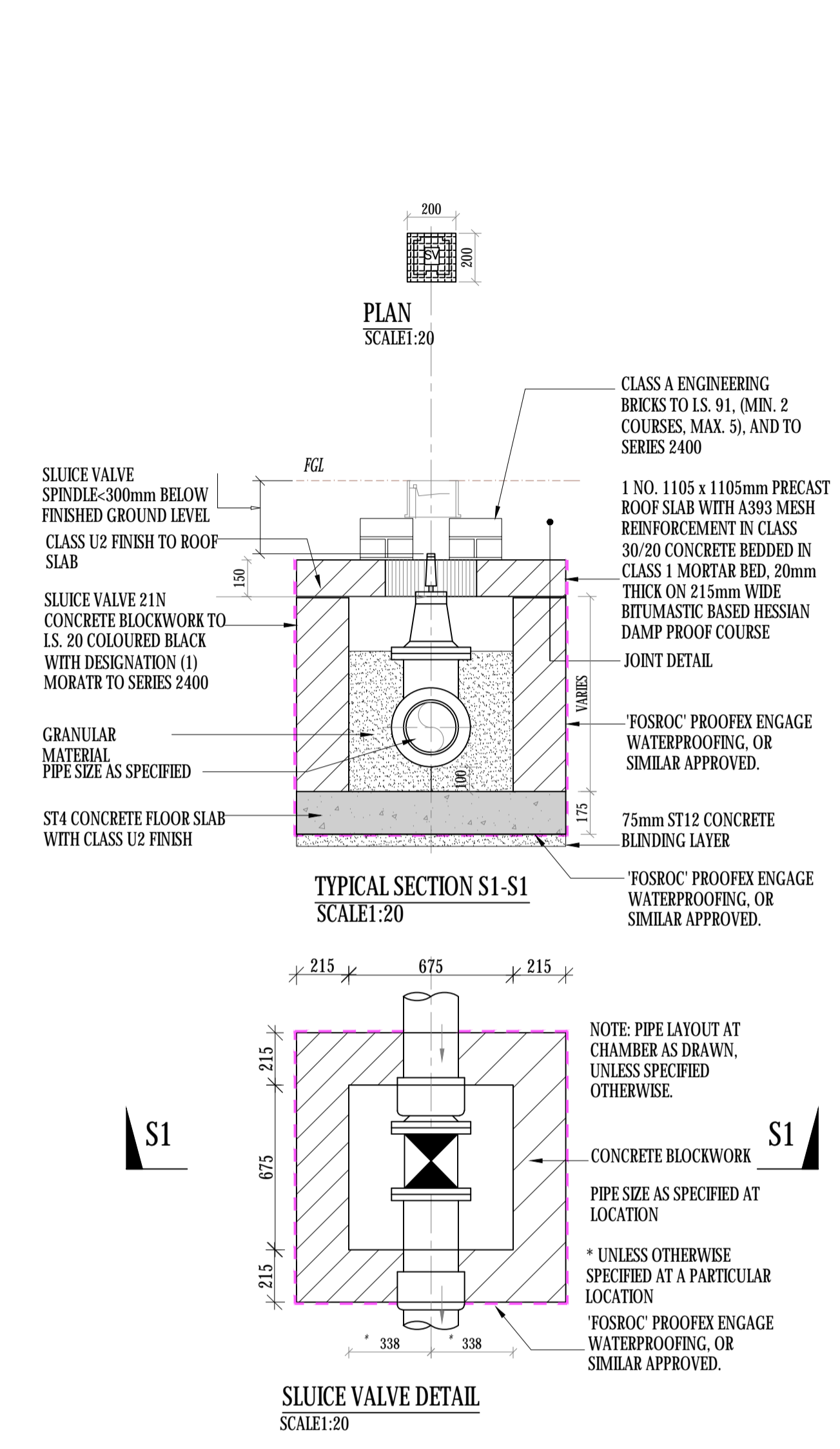
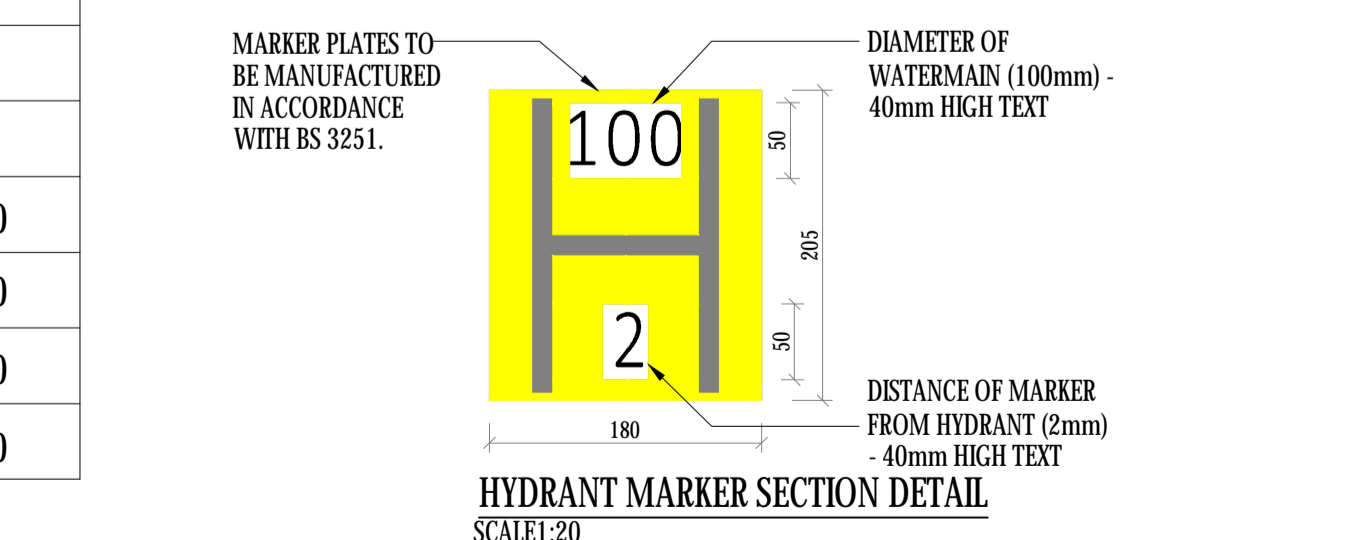
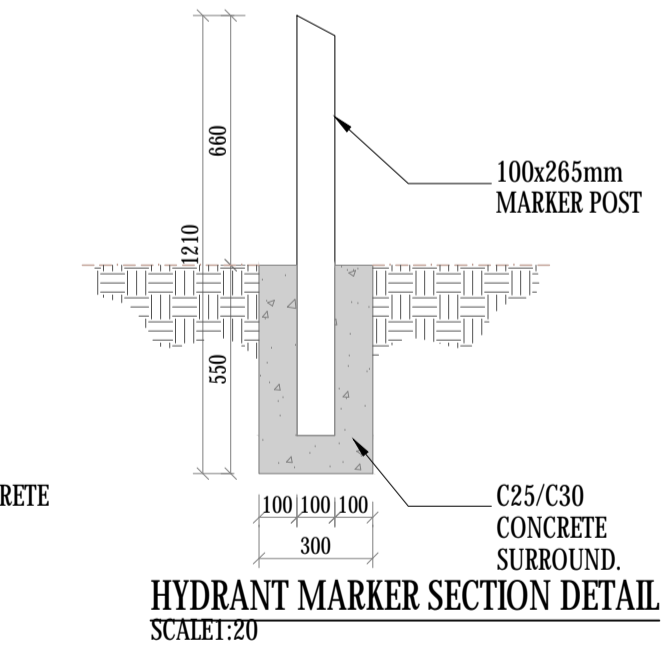
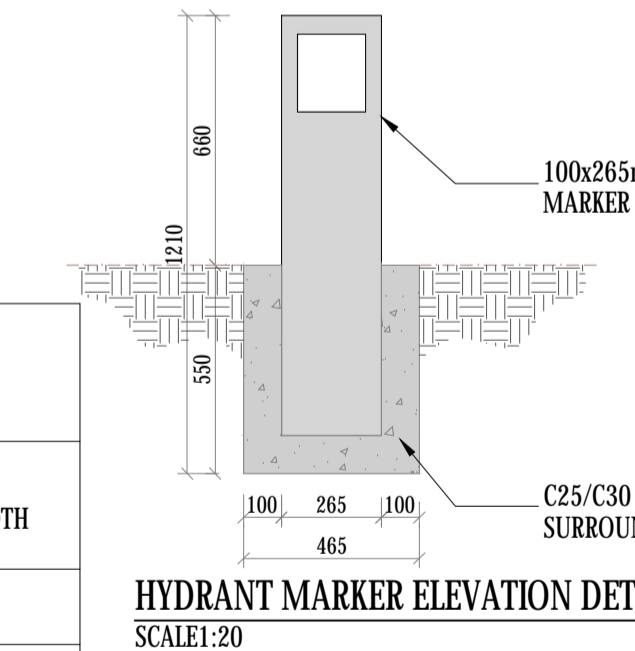


WATER/WASTEWATER INFRASTRUCTURE TO BE DESIGNED AND CONSTRUCTED IN ACCORDANCE WITH:

- CODE OF PRACTICE FOR WASTEWATER INFRASTRUCTURE, CONNECTIONS AND DEVELOPER SERVICES, DESIGN AND CONSTRUCTION REQUIREMENTS FOR SELF-LAY DEVELOPMENTS, JULY 2020 (REVISION 2); IW-CDS-5020-03
- WASTEWATER INFRASTRUCTURE STANDARD DETAILS, CONNECTIONS AND DEVELOPER SERVICES, CONSTRUCTION REQUIREMENTS FOR SELF-LAY DEVELOPMENTS, JULY 2020 (REVISION 04); IW-CDS-5020-01
- ALL WATER INFRASTRUCTURE TO BE DESIGNED AND CONSTRUCTED IN ACCORDANCE WITH:
- CODE OF PRACTICE FOR WATER INFRASTRUCTURE, CONNECTIONS AND DEVELOPER SERVICES, DESIGN AND CONSTRUCTION REQUIREMENTS FOR SELF-LAY DEVELOPMENTS, JULY 2020 (REVISION 2); IW-CDS-5020-03
- WATER INFRASTRUCTURE STANDARD DETAILS, CONNECTIONS AND DEVELOPER SERVICES, CONSTRUCTION REQUIREMENTS FOR SELF-LAY DEVELOPMENTS, JULY 2020 (REVISION 04); IW-CDS-5020-01
- WHERE THE ABOVE DOCUMENTS ARE REVISED BY IW, THE LATEST REVISION OF THE RELEVANT DOCUMENT SHALL BE USED.



TRENCH WIDTHS FOR DETAILS SEE SPECIFICATION		
NOMINAL PIPE DIA. mm.	MINIMUM TRENCH WIDTH mm.	MAXIMUM TRENCH WIDTH mm.
100	430	630
150	490	690
225	580	780
300	680	880
375	950	1150
450	1030	1230
525	1120	1320
600	1240	1440



DRAWING NOTES: This drawing, the design and contents contained herein are copyright & may not be used without express permission of the authors. No part hereof may be copied or reproduced partially or wholly in any form whatsoever or stored in any retrieval system of any nature without the prior written consent of the copyright owners SDS (Structural Design Solutions) Ltd. / SDS (UK) (Structural Design Solutions) Ltd. NOTES: 1. This Drawing is to be read in conjunction with the relevant Specifications & other Architectural & Engineering Drawings. 2. Do Not Scale from this Drawing. -Metric Figured Dimension only to be used. 3. All dimensions to be checked on site prior to work commencing. 4. Engineers to be informed immediately of any discrepancies before work proceeds. 5. It is the Contractor's responsibility to ensure that all works are carried out in accordance with the requirements of the current Building Regulations and all other statutory documents relevant to this project. 6. All details are standard, and are not project specific unless clearly stated otherwise. 7. Wherever a particular product is specified by name, the term "or equivalent subject to approval" is deemed inferred. The Contractor is obliged to ensure any and all products incorporated into a project are certified to the relevant National Standards (where necessary), are fit for their intended purpose and will provide adequate performance subject to manufacturers' warranties. 8. SDS (Structural Design Solutions) Ltd / SDS (UK) (Structural Design Solutions) Ltd. bear no liability for unilateral changes/modifications made during the course of construction based on the drawing prepared without prior consultation and confirmation of acceptance of revision by SDS (Structural Design Solutions) Ltd / SDS (UK) (Structural Design Solutions) Ltd. 9. This drawing is to be read in conjunction with all relevant Architects drawings and Specifications. Any discrepancies identified are to be reported to the Engineers before proceeding.

STRUCTURAL & CIVIL ENGINEERS
UNIT NO. 9, NS BUSINESS PARK,
CASTLEBAR, COUNTY MAYO, IRELAND.
Tel: +353 (0)94 9034914 Fax: +353 (0)94 9034988
info@structuraldesign.ie www.structuraldesign.ie

SDS
Structural Design Solutions Ltd

REV.	DATE	BY	DESCRIPTION
PL1	05.12.2020	CD	ISSUED FOR PLANNING

SLIGO COUNTY COUNCIL

Project Title:
HOUSING DEVELOPMENT AT ROBBERS LANE, MAUGHERBOY, SLIGO.

Drawn by: **C.R.** Date: **November 2020**

Project No: **20218** Drawing No: **1030**

AS SHOWN	PLANNING
CD	PL1